

Bench Mounted Hand Held Drench Hose

EL540

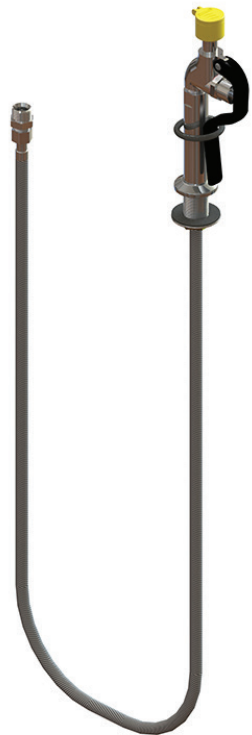
Designed to be used as a secondary support to primary eyewash stations and deluge showers not as a replacement.

Install near workplace hazard locations for a quicker response time.
Soft aerated water flow for flushing of eyes and other body parts.

Ideal for industrial, commercial and educational applications.

FEATURES

- Chrome plated brass body
- Aerated adjustable spray nozzle with dust cap
- Dust cap flips open upon activation
- Self-closing trigger spray with stay-on holding ring
- Supplied with 1.5m stainless steel braided hose and wall bracket



Product Codes

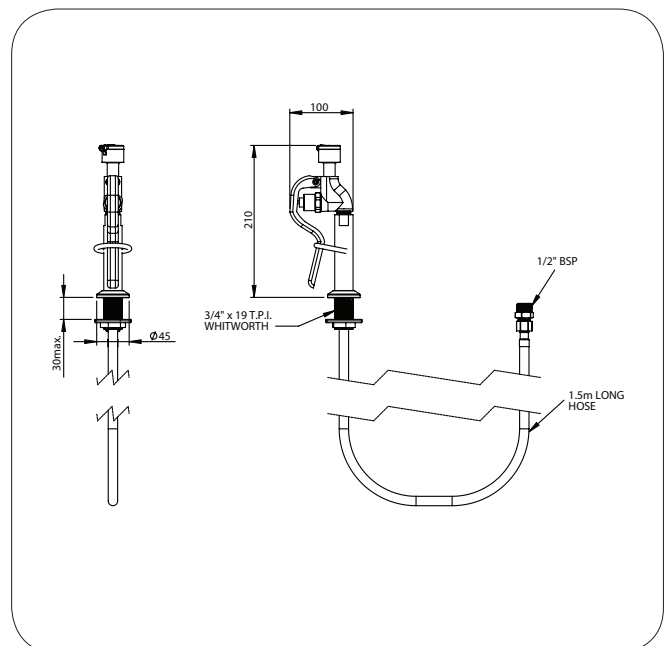
EL540 Bench Mounted Hand Held Drench Hose

Technical Information

Inlet Connection	15mm (1/2" BSP)
Minimum Working Pressure	50 kPa (7.2 psi)
Recommended Working Pressure	500 kPa
Minimum Flow Rate	6 lpm (1.3 gpm)

Enware tapware must be installed in accordance with the provisions of AS/NZS3500 and any relevant local regulations. Installations not complying with AS/NZS3500 may void the product and performance warranty provisions.

The performance of Enware AS/NZS 3718 tapware, in many cases, exceeds the plumbing system design requirements of the Plumbing Code of Australia and AS/NZS 3500.



Version: Jul18

Call 1300 369 273
www.enware.com.au

Enware Australia Pty Limited
9 Endeavour Rd Caringbah NSW 2229 Australia
Ph: +61 2 8556 4000 info@enware.com.au